

AFC600 MASS FLOW CONTROLLER

Type AFC600

AFC 600 Mass Flow Controller the mass flow rate of a gas and controls the flow rate according to a given set point. The control range is from 2 to 100% of Full Scale with an accuracy of +/- 1% of Full Scale.

AFC 600 Mass Flow Controller is available in ranges is from 10 to 50,000 sccm (N2 equivalent)

AFC 600 Mass Flow Controller can interface to complementary ATOVAC equipment (Type GMC1200, GMC220, GMC300D, GMC50) to display the regarding and to provide the power, and set point commands

Features & Benefits

Full Scale flow range from 10 sccm to 50 slm for precise and repeatable flow measurement and control

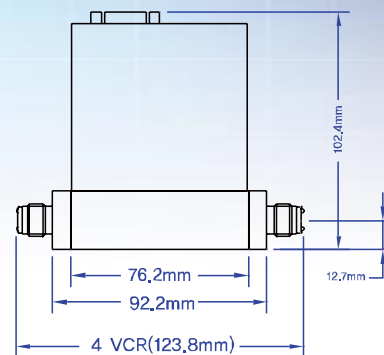
Percent of full scale accuracy for analog configurations

Percent of reading accuracy with digital configurations.

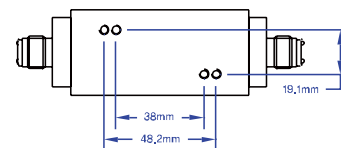
Fast warm-up time minimizes expensive production downtime

CE Mark compliant

Dimensions



Swagelok(112,7mm)



AFC600 MASS FLOW CONTROLLER

NOVA
Analitik Sistemler

Atatürk Mah. Sedef Sitesi 4 Blok Daire:1 Ataşehir / İSTANBUL
Tel: 0216 455 66 40 Faks: 0216 455 66 41
www.novaanalitik.com info@novaanalitik.com

Specifications

Full Scale Ranges (N2 equivalent)	10,20,50,100,200,500,1000, 2000,5000,10000,20000 SCCM
Maximum Inlet Pressure	150 psig
Normal Operating Pressure Differential (with atmospheric pressure at the MFCoutlet)	10 to 40 psid 15 to 40 psid
10 to 5000 sccm 10000 to 20000 sccm	
Control Range	2% to 100 % of F.S.
Accuracy (analog) (including non-linearity, hysteresis, and non-repeatability referenced to 760mmhg and 0°C)	±1.0% of F.S.
Repeatability	±0.2% of F.S.
Resolution	1.0% of F.S.
Temperature Coefficients Zero Span	<0.05 % of F.S. /°C <0.05 % of Rdg./°C
Warm-up Time (to within 0.2% of F.S. of steady state performance)	<2 min
Controller Settling Time	<2 sec
Pressure Coefficient	<0.02 % of Rdg./psi

Normal Operating Temperature Range	0°C to 50°C
Input Voltage Required Max. current at start-up (first 2 sec) Typical current at steady state	±15 VDC(±5%) @ 200 mA ±15 VDC(±5%) @ 100 mA
Set Point Command Signal	0 to 5 VDC
Output Signal	0 to 5 VDC
Connector Types Analog	9-pin "D" Type
Wetted Materials Standard Optional (seals and valve seat)	316L S.S., Teflon Seal (PTFE)
Leak Integrity External (scc/sec He) Through closed valve	<1 x 10 ⁻⁹ <1.0% of F.S. at 40 psig inlet to atmosphere (To assure no flow-through, a separate positive shut-off valve is recommended.)
Fittings (compatible with)	Swagelok® 4 VCR , 1/4" Swagelok®

ATOVAC
주식회사 아토백

176-11 , Mapyeong-dong , Cheoin-gu
Yongin-Si, Kyonggi-Do, Korea . Zip code : 449-928
Tel : 82-31-526-0526
Fax : 82-70-8650-0526
Web site : <http://www.atovac.com>
E-mail : atovac@atovac.com